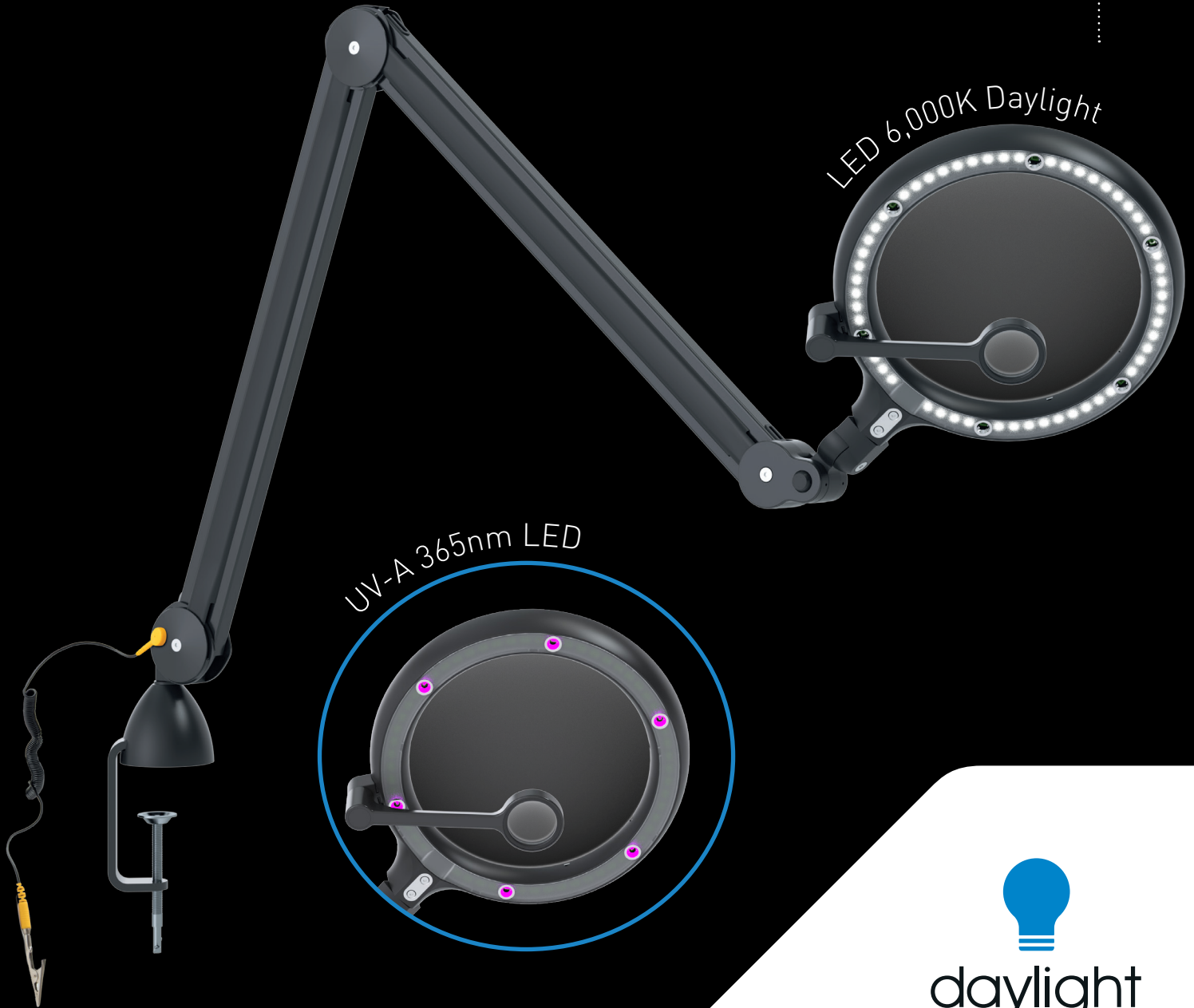


iQ ESD™

DAYLIGHT & UV MAGNIFIER



Fact Sheet



The iQ ESD™ is a 100% ESD-safe illuminated magnifier, independently certified for use in EPA (Electrostatic Protected Areas) to IEC 61340-5-1 & ANSI/ESD 20:20. A fantastic 2-in-1 light source, powerful Daylight 6,000K LEDs ensure clarity and shadow-free illumination while UV-A (365nm) LEDs are ideal for conformal coating inspection as well as thorough checking of soldered joints, welds and any other mechanical stress areas. With 2 brightness levels to suit your tasks, joints that hold any position and a large 17.5cm lens, the iQ ESD™ is the ultimate 2-in-1 ESD-safe illuminated magnifier.

LED 6,000K daylight

6,000 Lux at 15cm

UV-A (365nm) LEDs



LIGHT QUALITY



ERGONOMICS



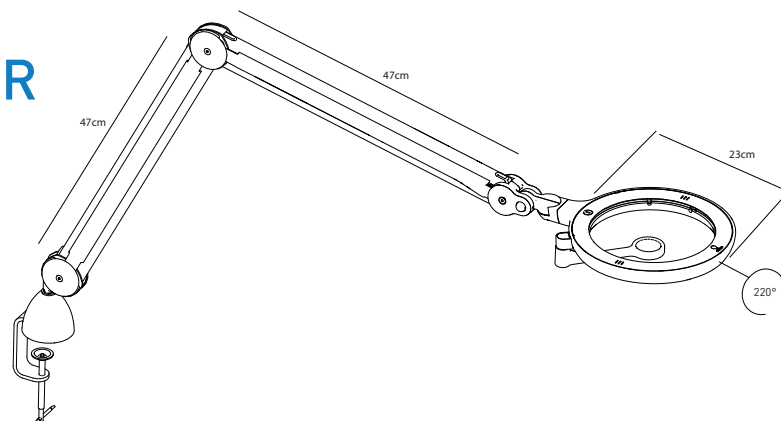
DESIGN

daylightcompany.com

iQ ESD™

D25101

DAYLIGHT & UV MAGNIFIER



FEATURES

- 2-in-1 light source: powerful Daylight 6,000K LEDs and UV-A (365nm) LEDs
- 100% ESD-safe illuminated magnifier that is independently certified
- Optical quality glass lens 17.5cm
- 3 dioptrics magnification (1.75X) supplied with additional 12 dioptrics (4X) swing arm magnifier
- Exceptionally strong and durable carbon fibre head and joints
- No adjustment necessary: specifically constructed using free motion joints instead of wing nuts, the iQ ESD will always hold its position
- 2 brightness levels to adapt the lighting to your task at hand
- Long reach of 118cm so you position light exactly where you need it
- 3-year guarantee

SPECIFICATIONS

Product information

Weight	3.8kg
Colour	Black
Cable length	2m

Light output

Daylight light source	LED
Lumens	700lm
Lux at 15cm	6,000 and 4,000
Colour temperature	6,000K
CRI	95+

UV light source	LED UV-A
UV wavelength	365nm

Energy consumption	12W
--------------------	-----

Packaging information

Height	61cm
Width	53cm
Depth	10cm
Packed weight	5kg
Products per master carton	2